



COLOUR-CODED SQUARE CONTAINERS AND LIDS

The Colour-Coded Foodservice System enables users to protect their patrons from foodborne illnesses and allergens. Prevent cross-contamination when storing different types of food with colour-coded square containers and lids.

Features and Benefits:

Bases:

- Part of a complete colour-coded foodservice system
- Available in break-resistant, crystal-clear material for visibility of contents
- Durable handles for easy transport and drain holes for proper washing and drying
- Temperature range: -40°F to 212°F (-40°C to 100°C)
- Stackable handled containers
- NSF-certified
- Commercial dishwasher-safe

Lids:

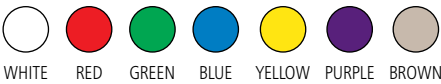
- Leak-resistant, snap-tight lids
- Corner pull tab for easy lid removal

Material Composition:

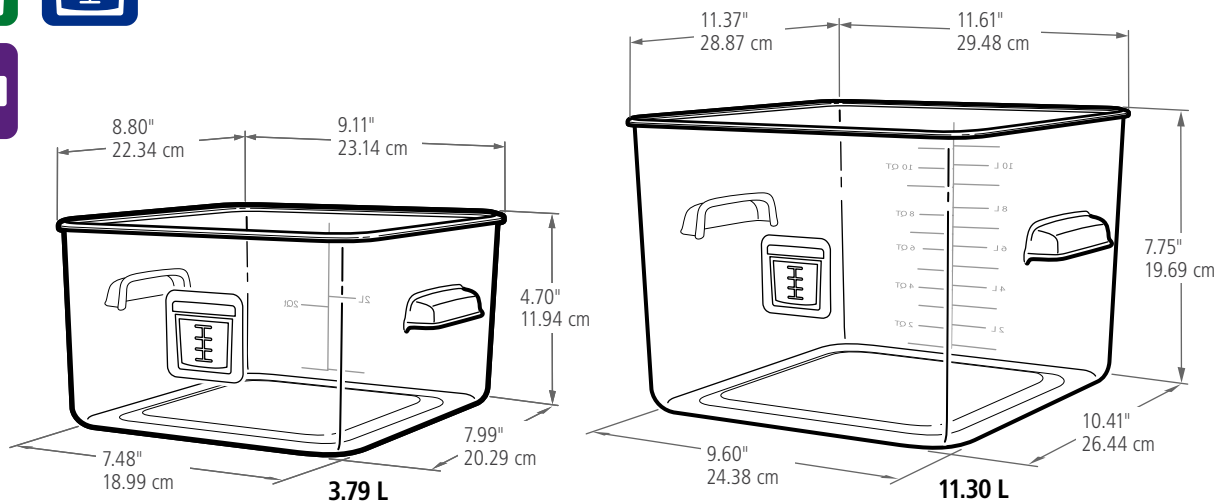
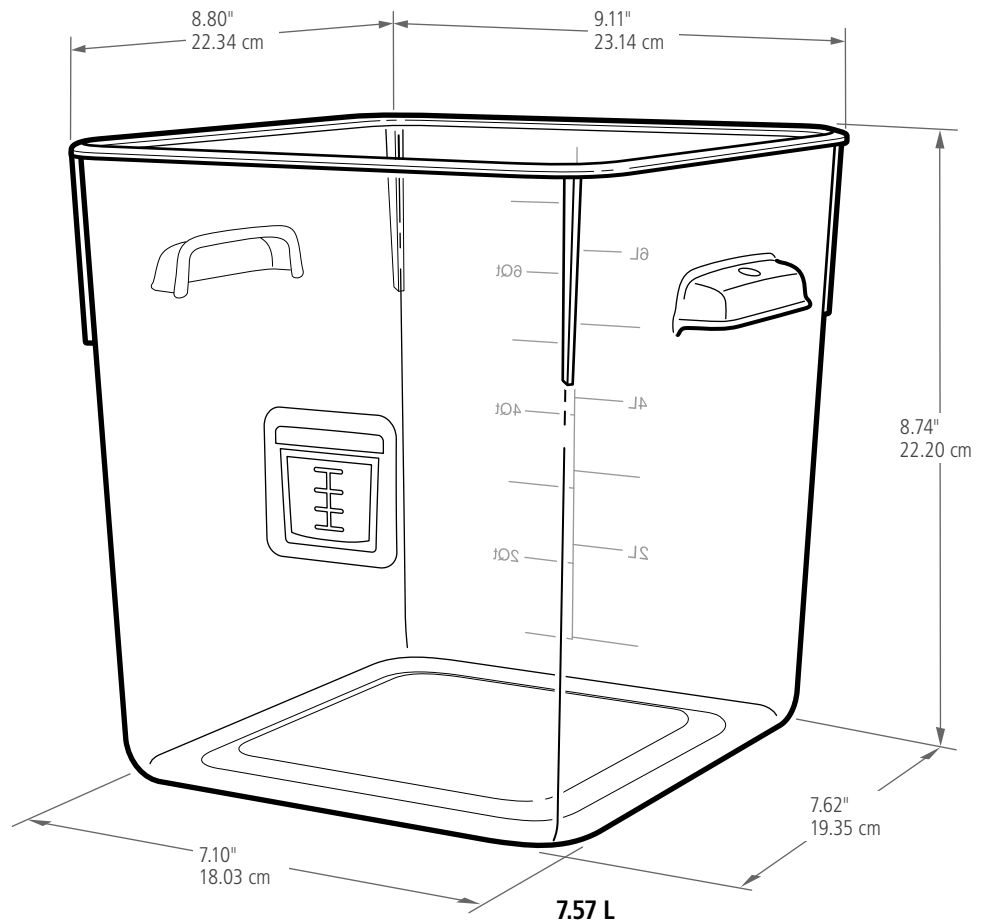
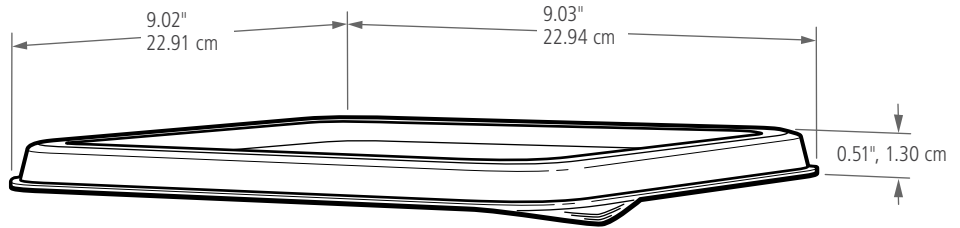
Bases: Polycarbonate

Lids: Linear Low-density Polyethylene

LIDS AVAILABLE IN THE BELOW COLOURS:



BASES AVAILABLE WITH THE BELOW ICONS:



COLOUR-CODED SQUARE CONTAINERS

SKU #	DESCRIPTION	COLOUR	CAPACITY		LENGTH		WIDTH		HEIGHT		WEIGHT		PACK SIZE
			QT	L	IN	CM	IN	CM	IN	CM	LB	KG	
1980313	COLOUR-CODED SQUARE STORAGE CONTAINER	WHITE	4	3.79	9.11	23.14	8.80	22.34	4.70	11.94	0.71	0.32	12
1980321	COLOUR-CODED SQUARE STORAGE CONTAINER	RED	4	3.79	9.11	23.14	8.80	22.34	4.70	11.94	0.71	0.32	12
1980322	COLOUR-CODED SQUARE STORAGE CONTAINER	GREEN	4	3.79	9.11	23.14	8.80	22.34	4.70	11.94	0.71	0.32	12
1980233	COLOUR-CODED SQUARE STORAGE CONTAINER	BLUE	4	3.79	9.11	23.14	8.80	22.34	4.70	11.94	0.71	0.32	12
1980234	COLOUR-CODED SQUARE STORAGE CONTAINER	YELLOW	4	3.79	9.11	23.14	8.80	22.34	4.70	11.94	0.71	0.32	12
1980247	COLOUR-CODED SQUARE STORAGE CONTAINER	PURPLE	4	3.79	9.11	23.14	8.80	22.34	4.70	11.94	0.71	0.32	12
1980248	COLOUR-CODED SQUARE STORAGE CONTAINER	BROWN	4	3.79	9.11	23.14	8.80	22.34	4.70	11.94	0.71	0.32	12
1980249	COLOUR-CODED SQUARE STORAGE CONTAINER	WHITE	8	7.57	9.11	23.14	8.80	22.34	8.74	22.20	1.21	0.55	6
1980250	COLOUR-CODED SQUARE STORAGE CONTAINER	RED	8	7.57	9.11	23.14	8.80	22.34	8.74	22.20	1.21	0.55	6
1980331	COLOUR-CODED SQUARE STORAGE CONTAINER	GREEN	8	7.57	9.11	23.14	8.80	22.34	8.74	22.20	1.21	0.55	6
1980332	COLOUR-CODED SQUARE STORAGE CONTAINER	BLUE	8	7.57	9.11	23.14	8.80	22.34	8.74	22.20	1.21	0.55	6
1980333	COLOUR-CODED SQUARE STORAGE CONTAINER	YELLOW	8	7.57	9.11	23.14	8.80	22.34	8.74	22.20	1.21	0.55	6
1980334	COLOUR-CODED SQUARE STORAGE CONTAINER	PURPLE	8	7.57	9.11	23.14	8.80	22.34	8.74	22.20	1.21	0.55	6
1980335	COLOUR-CODED SQUARE STORAGE CONTAINER	BROWN	8	7.57	9.11	23.14	8.80	22.34	8.74	22.20	1.21	0.55	6
1980994	COLOUR-CODED SQUARE STORAGE CONTAINER	WHITE	12	11.30	11.61	29.48	11.37	28.87	7.75	19.69	1.55	0.70	6
1980995	COLOUR-CODED SQUARE STORAGE CONTAINER	RED	12	11.30	11.61	29.48	11.37	28.87	7.75	19.69	1.55	0.70	6
1980996	COLOUR-CODED SQUARE STORAGE CONTAINER	GREEN	12	11.30	11.61	29.48	11.37	28.87	7.75	19.69	1.55	0.70	6
1980997	COLOUR-CODED SQUARE STORAGE CONTAINER	BLUE	12	11.30	11.61	29.48	11.37	28.87	7.75	19.69	1.55	0.70	6
1980998	COLOUR-CODED SQUARE STORAGE CONTAINER	YELLOW	12	11.30	11.61	29.48	11.37	28.87	7.75	19.69	1.55	0.70	6
1980999	COLOUR-CODED SQUARE STORAGE CONTAINER	PURPLE	12	11.30	11.61	29.48	11.37	28.87	7.75	19.69	1.55	0.70	6
1981000	COLOUR-CODED SQUARE STORAGE CONTAINER	BROWN	12	11.30	11.61	29.48	11.37	28.87	7.75	19.69	1.55	0.70	6

COLOUR-CODED SQUARE LIDS

SKU #	DESCRIPTION	COLOUR	LENGTH		WIDTH		HEIGHT		WEIGHT		PACK SIZE
			IN	CM	IN	CM	IN	CM	LB	KG	
FG650900WHT	SQUARE CONTAINER LID, FITS 3.8L & 7.6L CONTAINER	WHITE	9.03	22.94	9.02	22.91	0.51	1.30	0.22	0.10	12
1980200	SQUARE CONTAINER LID, FITS 3.8L & 7.6L CONTAINER	RED	9.03	22.94	9.02	22.91	0.51	1.30	0.22	0.10	12
1980301	SQUARE CONTAINER LID, FITS 3.8L & 7.6L CONTAINER	GREEN	9.03	22.94	9.02	22.91	0.51	1.30	0.22	0.10	12
1980302	SQUARE CONTAINER LID, FITS 3.8L & 7.6L CONTAINER	BLUE	9.03	22.94	9.02	22.91	0.51	1.30	0.22	0.10	12
1980303	SQUARE CONTAINER LID, FITS 3.8L & 7.6L CONTAINER	YELLOW	9.03	22.94	9.02	22.91	0.51	1.30	0.22	0.10	12
1980304	SQUARE CONTAINER LID, FITS 3.8L & 7.6L CONTAINER	PURPLE	9.03	22.94	9.02	22.91	0.51	1.30	0.22	0.10	12
1980305	SQUARE CONTAINER LID, FITS 3.8L & 7.6L CONTAINER	BROWN	9.03	22.94	9.02	22.91	0.51	1.30	0.22	0.10	12
FG652300WHT	SQUARE CONTAINER LID, FITS 11.4L CONTAINER	WHITE	11.34	28.80	11.33	28.78	0.52	1.32	0.32	0.15	6
1980307	SQUARE CONTAINER LID, FITS 11.4L CONTAINER	RED	11.34	28.80	11.33	28.78	0.52	1.32	0.32	0.15	6
1980308	SQUARE CONTAINER LID, FITS 11.4L CONTAINER	GREEN	11.34	28.80	11.33	28.78	0.52	1.32	0.32	0.15	6
1980309	SQUARE CONTAINER LID, FITS 11.4L CONTAINER	BLUE	11.34	28.80	11.33	28.78	0.52	1.32	0.32	0.15	6
1980310	SQUARE CONTAINER LID, FITS 11.4L CONTAINER	YELLOW	11.34	28.80	11.33	28.78	0.52	1.32	0.32	0.15	6
1980311	SQUARE CONTAINER LID, FITS 11.4L CONTAINER	PURPLE	11.34	28.80	11.33	28.78	0.52	1.32	0.32	0.15	6
1980312	SQUARE CONTAINER LID, FITS 11.4L CONTAINER	BROWN	11.34	28.80	11.33	28.78	0.52	1.32	0.32	0.15	6





COLOUR-CODED TONGS

The Colour-Coded Foodservice System enables users to protect their patrons from foodborne illnesses and allergens. Colour-coded tongs help keep food separated and reduce the risk of cross-contamination during food preparation or while serving.

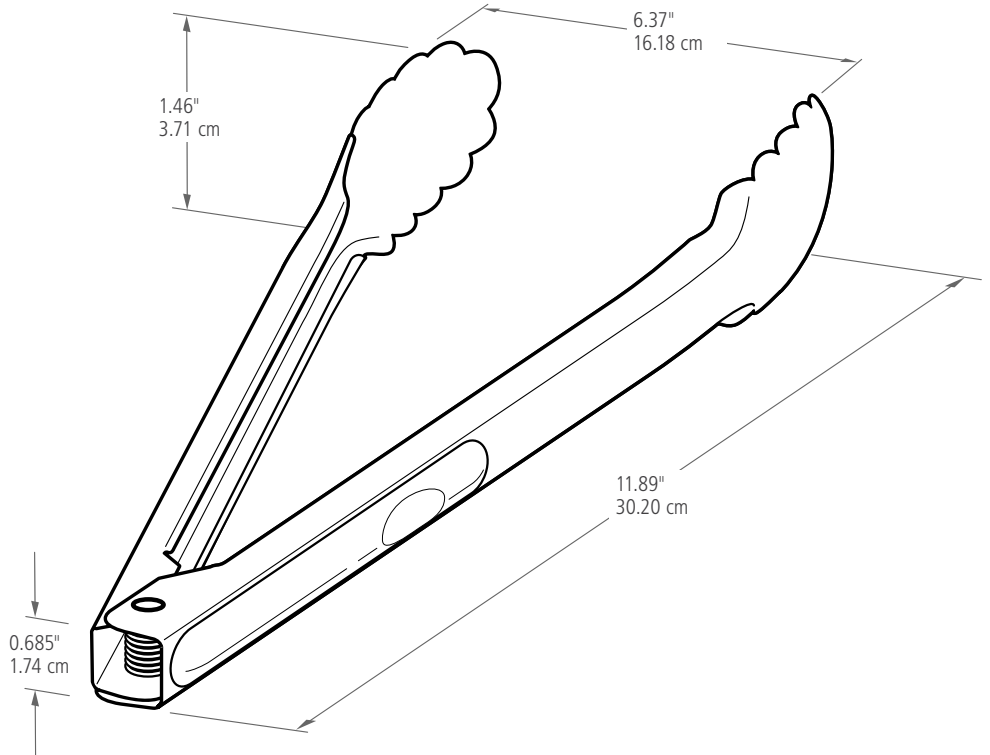
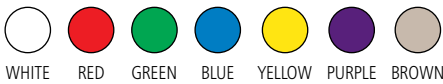
Features and Benefits:

- Part of a complete colour-coded foodservice system
- 22-gauge stainless steel
- Rubber grip on handles enables better control
- Scalloped-edge design for easy gripping of food
- Commercial dishwasher-safe

Material Composition:

Stainless Steel

COLOURS AVAILABLE:



SKU #	DESCRIPTION	COLOUR	LENGTH		WIDTH		HEIGHT		WEIGHT		PACK SIZE
			IN	CM	IN	CM	IN	CM	LB	KG	
1980422	COLOUR-CODED TONGS	WHITE	12.00	30.20	6.37	16.18	1.46	3.71	0.13	0.06	6
1980423	COLOUR-CODED TONGS	RED	12.00	30.20	6.37	16.18	1.46	3.71	0.13	0.06	6
1980424	COLOUR-CODED TONGS	GREEN	12.00	30.20	6.37	16.18	1.46	3.71	0.13	0.06	6
1980425	COLOUR-CODED TONGS	BLUE	12.00	30.20	6.37	16.18	1.46	3.71	0.13	0.06	6
1980426	COLOUR-CODED TONGS	YELLOW	12.00	30.20	6.37	16.18	1.46	3.71	0.13	0.06	6
1980427	COLOUR-CODED TONGS	PURPLE	12.00	30.20	6.37	16.18	1.46	3.71	0.13	0.06	6
1980428	COLOUR-CODED TONGS	BROWN	12.00	30.20	6.37	16.18	1.46	3.71	0.13	0.06	6





The Colour-Coded Foodservice System enables users to protect their patrons from foodborne illnesses and allergens. Colour-coded high-heat spatulas reduce the risk of cross-contamination during food preparation.

Features and Benefits:

- Part of a complete colour-coded foodservice system
- Resists temperatures to 500°F/260°C
- Clean-Rest™ feature keeps blade off countertops
- Notched, stain-resistant scraper blades cleanly scrape sides of pans without scratching them
- Commercial dishwasher-safe

Material Composition:

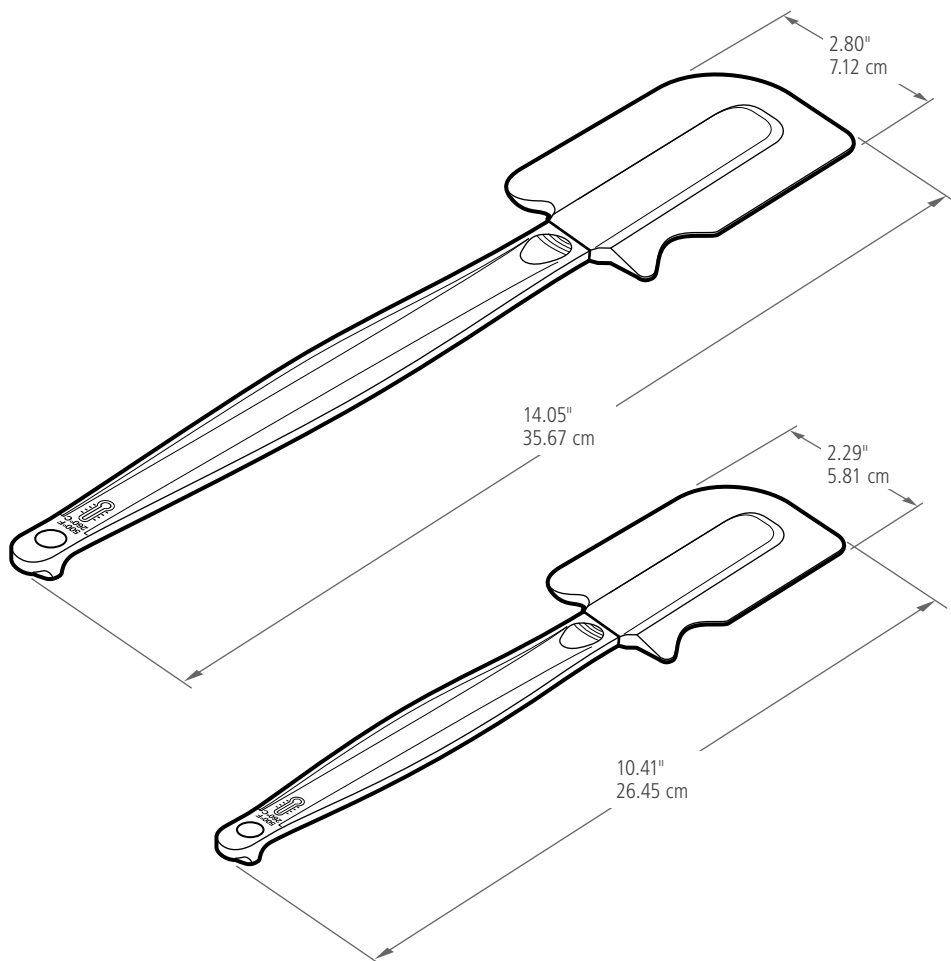
Silicone Blade and Nylon Handle

COLOURS AVAILABLE:



WHITE RED GREEN BLUE YELLOW PURPLE BROWN

COLOUR-CODED HIGH-HEAT SPATULAS



SKU #	DESCRIPTION	COLOUR	LENGTH		WIDTH		WEIGHT		PACK SIZE
			IN	CM	IN	CM	LB	KG	
1981138	COLOUR-CODED HIGH-HEAT SPATULA	WHITE	10.41	26.45	2.29	5.81	0.13	0.06	12
FG1962000000	COLOUR-CODED HIGH-HEAT SPATULA	RED	10.41	26.45	2.29	5.81	0.13	0.06	24
1981140	COLOUR CODED HIGH HEAT SPATULA	GREEN	10.41	26.45	2.29	5.81	0.13	0.06	12
1981141	COLOUR-CODED HIGH-HEAT SPATULA	BLUE	10.41	26.45	2.29	5.81	0.13	0.06	12
1981142	COLOUR-CODED HIGH-HEAT SPATULA	YELLOW	10.41	26.45	2.29	5.81	0.13	0.06	12
1981143	COLOUR-CODED HIGH-HEAT SPATULA	PURPLE	10.41	26.45	2.29	5.81	0.13	0.06	12
1981144	COLOUR-CODED HIGH-HEAT SPATULA	BROWN	10.41	26.45	2.29	5.81	0.13	0.06	12
1980415	COLOUR-CODED HIGH-HEAT SPATULA	WHITE	14.05	35.67	2.80	7.12	0.21	0.10	12
FG1963000000	COLOUR-CODED HIGH-HEAT SPATULA	RED	14.05	35.67	2.80	7.12	0.21	0.10	24
1980417	COLOUR-CODED HIGH-HEAT SPATULA	GREEN	14.05	35.67	2.80	7.12	0.21	0.10	12
1980418	COLOUR-CODED HIGH-HEAT SPATULA	BLUE	14.05	35.67	2.80	7.12	0.21	0.10	12
1980419	COLOUR-CODED HIGH-HEAT SPATULA	YELLOW	14.05	35.67	2.80	7.12	0.21	0.10	12
1980420	COLOUR-CODED HIGH-HEAT SPATULA	PURPLE	14.05	35.67	2.80	7.12	0.21	0.10	12
1980421	COLOUR-CODED HIGH-HEAT SPATULA	BROWN	14.05	35.67	2.80	7.12	0.21	0.10	12





COLOUR-CODED CUTTING BOARDS AND RACK

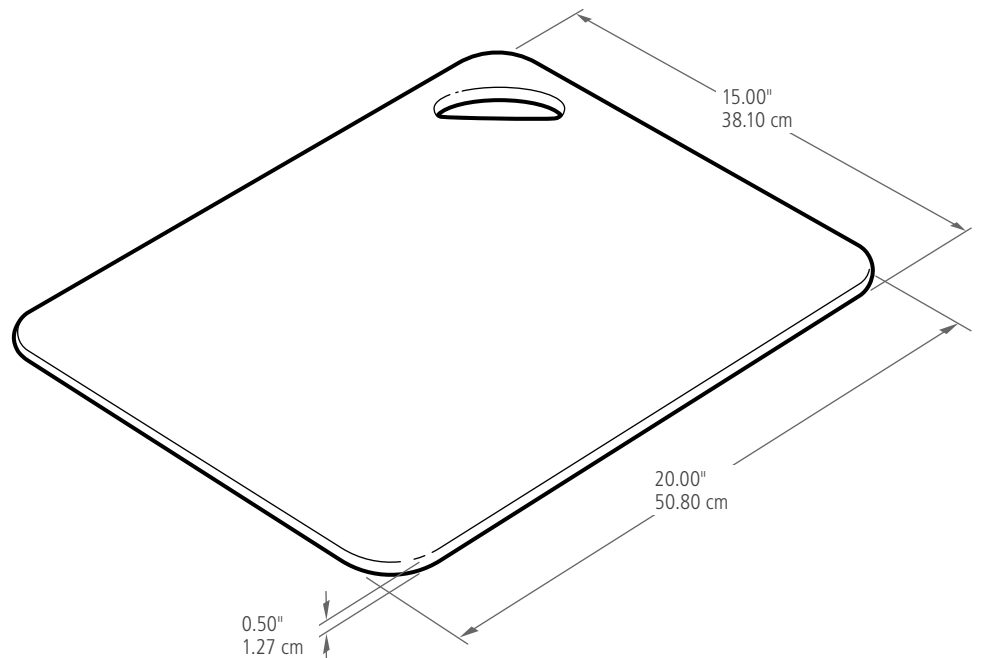
The Colour-Coded Foodservice System enables users to protect their patrons from foodborne illnesses and allergens. Dedicated colour-coded cutting boards help reduce the risk of cross-contamination during food preparation.

Features and Benefits:

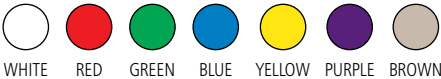
- Part of a complete colour-coded foodservice system
- Features a corner hanging hole for easy drying or carrying
- Resists stains and maintains its shape
- NSF-Certified
- Commercial dishwasher-safe
- Stainless steel rack available for convenient storage

Material Composition:

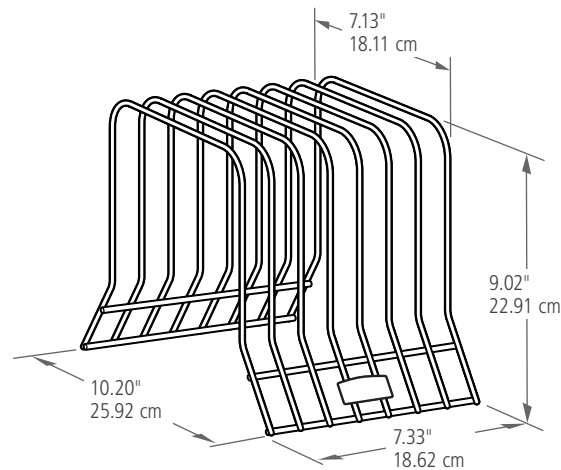
Cutting Boards: High-density Polyethylene
Cutting Board Rack: Stainless Steel



CUTTING BOARD COLOURS AVAILABLE:



CUTTING BOARD RACK COLOURS AVAILABLE:



SKU #	DESCRIPTION	COLOUR	LENGTH		WIDTH		HEIGHT		WEIGHT		PACK SIZE
			IN	CM	IN	CM	IN	CM	LB	KG	
1980407	COLOUR-CODED CUTTING BOARD	WHITE	20.00	50.80	15.00	38.10	0.50	1.27	5.03	2.28	6
1980408	COLOUR-CODED CUTTING BOARD	RED	20.00	50.80	15.00	38.10	0.50	1.27	5.03	2.28	6
1980409	COLOUR-CODED CUTTING BOARD	GREEN	20.00	50.80	15.00	38.10	0.50	1.27	5.03	2.28	6
1980410	COLOUR-CODED CUTTING BOARD	BLUE	20.00	50.80	15.00	38.10	0.50	1.27	5.03	2.28	6
1980411	COLOUR-CODED CUTTING BOARD	YELLOW	20.00	50.80	15.00	38.10	0.50	1.27	5.03	2.28	6
1980412	COLOUR-CODED CUTTING BOARD	PURPLE	20.00	50.80	15.00	38.10	0.50	1.27	5.03	2.28	6
1980413	COLOUR-CODED CUTTING BOARD	BROWN	20.00	50.80	15.00	38.10	0.50	1.27	5.03	2.28	6
1980414	CUTTING BOARD RACK	STAINLESS STEEL	10.20	25.92	7.33	18.62	9.02	22.91	2.24	1.02	1

